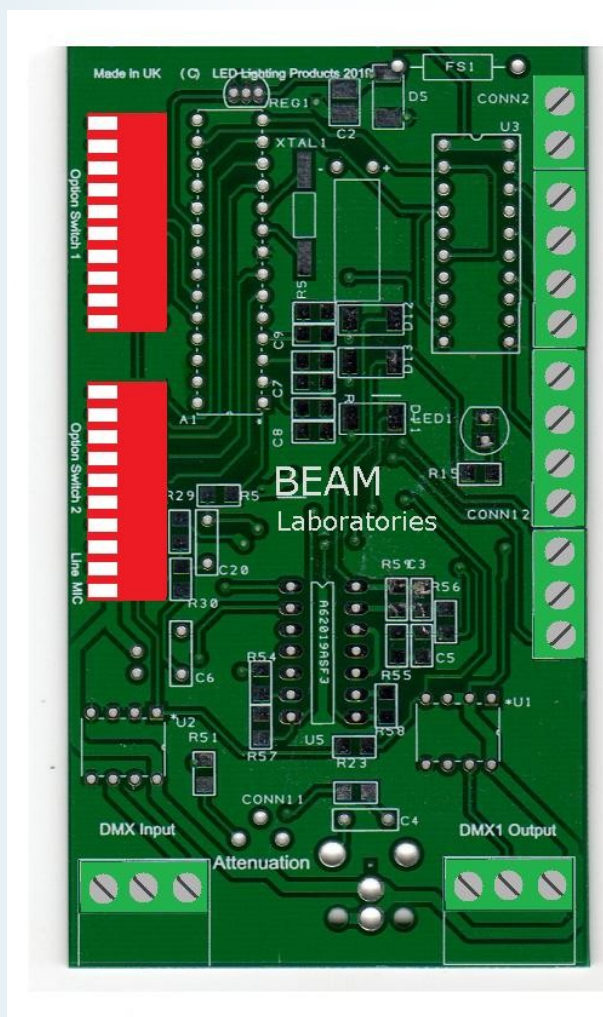


BEAM LABS

# Pixelator



An innovative solution to controlling pixel LED strips with optional DMX control



## Introduction

Pixel LED tape has evolved enormously in the last few years and is now the default choice in applications where dynamic lighting effects are required. Pixel tape is ideal for bars, clubs, homes, sensory rooms and anywhere that would benefit from dynamic, flowing and chasing light. Premium versions of pixel LEDs include dedicated warm white chips that give high quality architectural illumination for normal use.

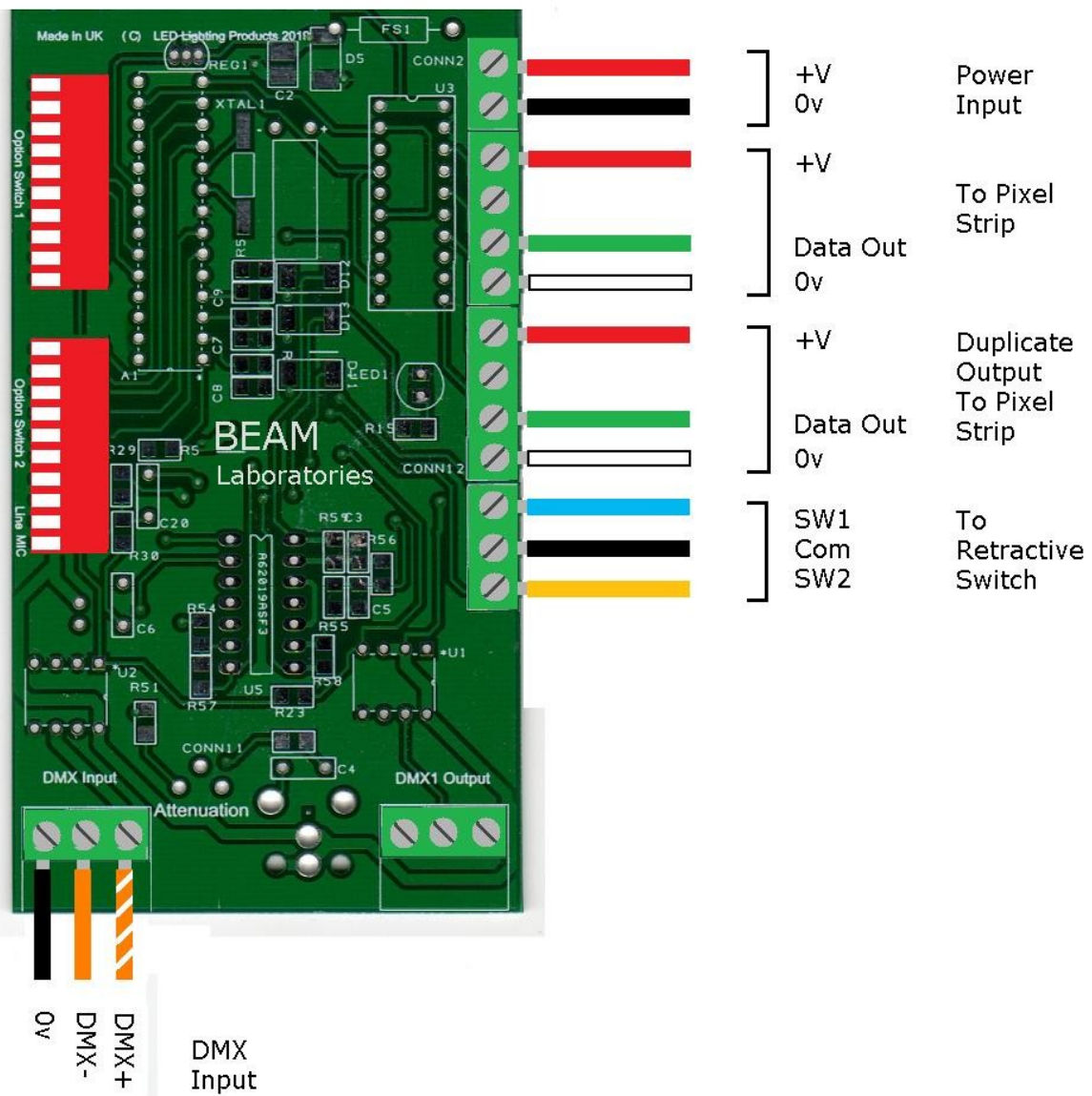
The pixelator is designed to satisfy the requirements of most small to medium size installations. It has a number of standalone modes accessed by a simple retractive switch, or for greater control has a DMX input.

It controls WS2812 and SK6812 chips and automatically adjusts the output to suit RGB or RGBW operation.

## Key Features

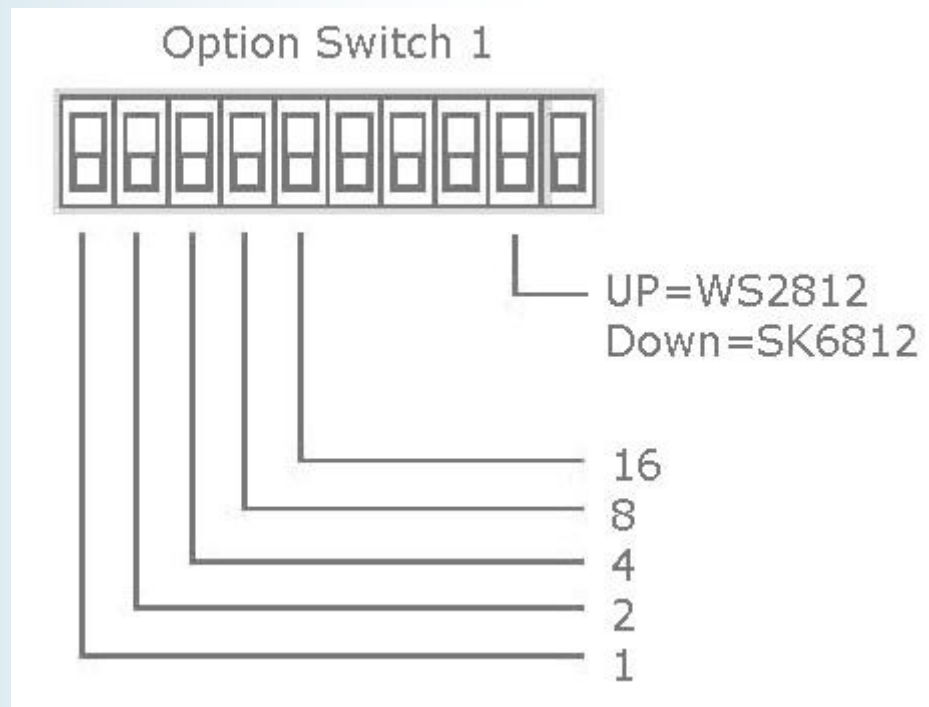
- Controls 512 DMX channels, scalable upto 2048.
- Operates the WS2812 and SK6812 protocols.
- Standalone modes indexed through a simple retractive switch.
- Automatically detects DMX input and reverts to DMX operation.
- DMX Out signal is buffered for glitchless downstream operation
- DMX Chips are socketed for ease of replacement
- 5-12v DC Operation
- Complies with the essential requirements of EN 61347-1 General and safety requirements for lamp control gear and EN 61347-2-13 Particular requirements for electronic control gear for LED modules.

## Wiring Up



## Setting the Control Channel (DMX Mode Only)

The control channel is set by the DIP switch as follows:

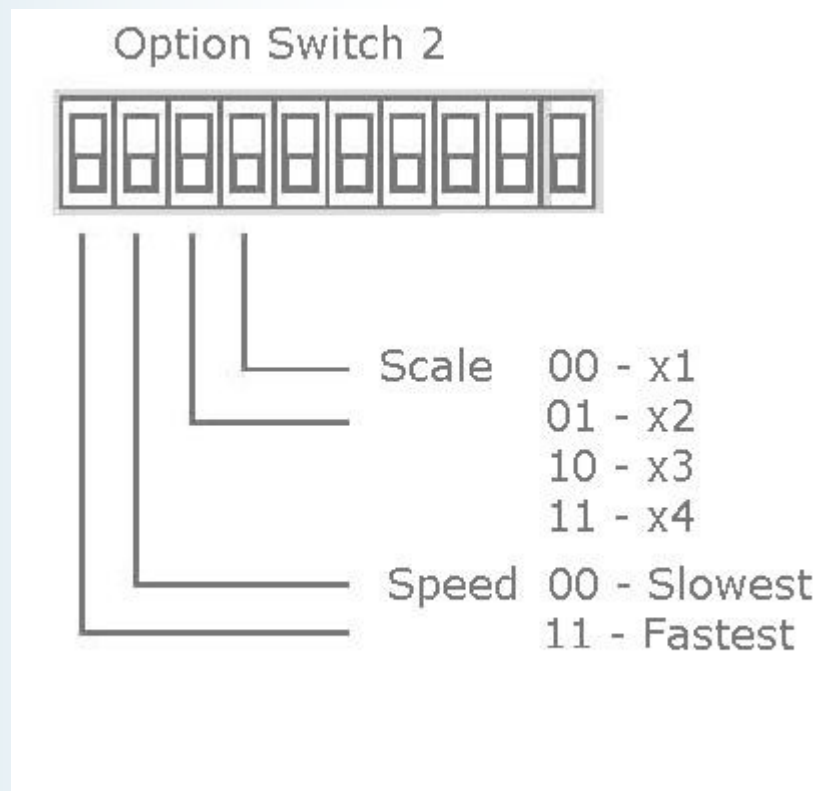


Flipping the switch UP adds the number indicated to the base address. Thus, if the switches marked 1 and 8 were UP, the base address would be 9.

The control channel is selectable between 1 and 31. This limitation is due to timing constraints

If no DIP switch is selected the DMX driver assumes the address 1.

## Setting Speed and Scale (Standalone Mode Only)





## Standalone Operation

The pixelator will operate automatically once it is powered up. When SW1 is connected and pressed the mode increments. SW2 turns the strip off.

The modes are:

Multicolour Swirls

Rainbow

Aurora with various background colours

Static primary colours

Static secondary colours



## DMX Operation

The pixelator automatically detects when DMX is present. Setting the channels is according to the following:

DMX Channel 1: Operating mode

DMX Channel 2: Scale

DMX Channel 3: Various

DMX Channel 4: Speed

DMX Channel 5: Length1 (number of LEDs on first run)

DMX Channel 6: Width1 (number of LEDs on second run)

DMX Channel 7: Length2 (number of LEDs on third run)

DMX Channel 8: Length2 (number of LEDs on fourth run)

DMX Channel 9: Red (Certain modes only)

DMX Channel 10: Green (Certain modes only)

DMX Channel 11: Blue (Certain modes only)

DMX Channel 12: White (Certain modes in RGBW only)



## Operating Modes

DMX Channel 1	Mode
10	Rainbow
11	RGB Fill (channels 9-12)
30	Aurora (no background colour)
35	Aurora (background colour based on channels 9-12)
238	Swirl ( colour based on channels 9-12). Speed (DMX4) needs to be >230





## Contacting Technical Support

Technical support is available by emailing [info@ledlightingproducts.co.uk](mailto:info@ledlightingproducts.co.uk) or by calling 01543 481532. For customers outside the UK please dial +44 1543 481532.

The technical helpline is open Monday-Thursday 9:30am—4:30pm and Friday 9:30am—12:00 pm.

## Warranty

LED Lighting Products Ltd warrants that the product it manufactures and sells will be free from defects in materials and workmanship for a period of 1 year from the date of despatch. If the device proves defective within the respective period, LED Lighting will repair or replace the defective hardware at its sole discretion. If the failure is due to an operator error the user accepts to pay for any charge relating to the diagnosis of the hardware, faulty parts or shipping from our factory.

**LED Lighting Products Ltd makes no warranty of any kind, express or implied, including without limitation the implied warranties of merchantability and fitness for a particular purpose. In no event shall LED Lighting Products Ltd be liable for indirect, special or consequential damages.**

**Opening the unit voids the warranty as described above.**